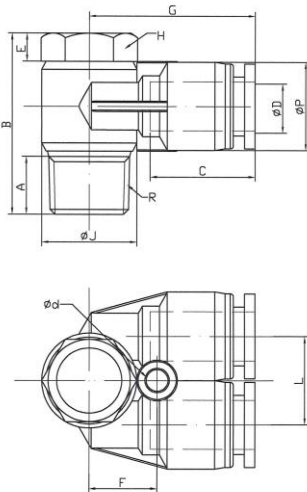


Push-in fittings series manufactured in plastic and nickel-plated brass.
All parts are suitable for use with hoses, tubes or pipes made of plastic and copper.

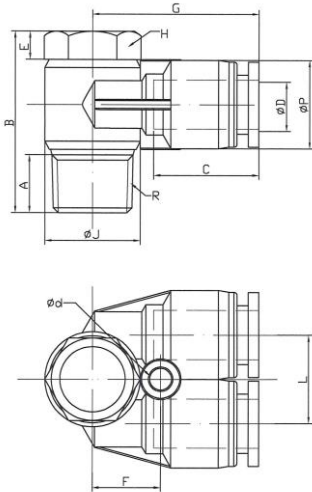
Working pressure:	-0.95 - 10 bar
Max. working pressure short term:	15 bar*
Temperature range:	-20 °C to 80 °C
Material:	Plastic and nickel-plated brass
Sleeve:	Plastic
Sealing surface:	Parallel version: O-ring in housing Conical version: PTFE thread coating
Medium:	Compressed air, neutral and safe gases and liquids*
Recommended hose:	PU or PA (nylon)



210.014-8

Male branch Y-elbow with outer hex, swivel type, parallel male thread with O-ring (NBR)

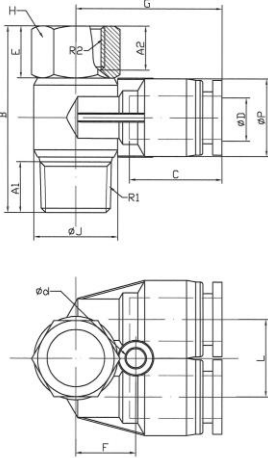
Art. No.	Type No.	ØD	Thread	ØP	ØJ	B	C	A	E	H	L	G	F	Ød
109625	210.005-4	4	M5	13.0	14.2	22.0	15.5	4.0	4.0	12	10.0	24.0	13.0	3.2
109626	210.018-6	6	G 1/8	13.0	14.2	25.0	15.5	5.0	4.0	12	10.0	24.0	13.0	3.2
109627	210.014-8	8	G 1/4	14.4	18.2	31.5	18.0	8.0	4.0	14	14.5	28.5	12.1	3.2
135654	210.014-10	10	G 1/4	18.4	21.8	31.8	22.0	8.0	4.5	19	18.4	33.7	14.0	3.2
109628	210.038-10	10	G 3/8	18.4	21.8	35.9	22.0	8.5	4.5	19	18.4	33.7	14.0	3.2
135655	210.038-12	12	G 3/8	21.0	28.0	38.0	23.0	8.5	5.5	24	21.0	37.5	17.0	3.2
109629	210.012-12	12	G 1/2	21.0	28.0	43.0	23.0	10.5	5.5	24	21.0	37.5	17.0	3.2



211.014-8

Male branch Y-elbow with outer hex, swivel type, conical male thread, coated

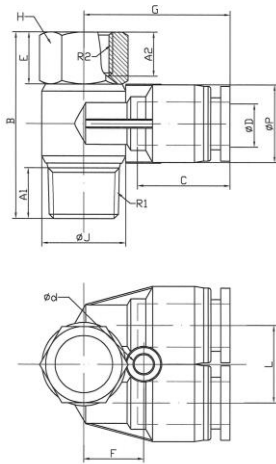
Art. No.	Type No.	ØD	Thread	ØP	ØJ	B	C	A	E	H	F	G	L	Ød
109630	211.018-6	6	R 1/8	13.0	14.2	25.0	15.5	7	4.0	12	10.0	24.0	13.0	3.2
125898	211.018-8	8	R 1/8	14.5	14.1	24.0	18.5	7	4.0	12	-	26.0	14.0	-
135656	211.014-6	6	R 1/4	13.0	14.2	27.0	15.5	9	4.0	14	10.0	24.0	13.0	3.2
109631	211.014-8	8	R 1/4	14.4	18.2	28.8	18.0	9	4.0	14	14.5	28.5	12.1	3.2
135657	211.014-10	10	R 1/4	18.4	21.8	33.8	22.0	9	4.5	19	18.4	33.7	14.0	3.2
109632	211.038-10	10	R 3/8	18.4	21.8	34.8	22.0	10	4.5	19	18.4	33.7	14.0	3.2
135658	211.038-12	12	R 3/8	21.0	28.0	39.6	23.0	10	5.5	24	21.0	37.5	17.0	3.2
109633	211.012-12	12	R 1/2	21.0	28.0	42.1	23.0	13	5.5	24	21.0	37.5	17.0	3.2


212.018-6

Male branch Y-elbow, swivel type, parallel male and female threads with O-ring (NBR)

Art. No.	Type No.	ØD	Thread 1	Thread 2	ØP	ØJ	B	C	A1	A2	E
109634	212.005-4	4	M5	M5	13.0	14.2	22.5	15.5	4.0	5.0	4.0
109635	212.018-6	6	G 1/8	G 1/8	13.0	14.2	30.0	15.5	5.0	8.5	9.0
109636	212.014-8	8	G 1/4	G 1/4	14.4	18.2	36.5	18.0	8.0	11.0	11.2
109637	212.038-10	10	G 3/8	G 3/8	18.4	21.8	43.0	22.0	8.5	12.0	12.0
109638	212.012-12	12	G 1/2	G 1/2	21.0	28.0	51.6	23.0	10.5	14.0	14.4

Art. No.	Type No.	H	F	G	L	Ød
109634	212.005-4	12	10.0	24.0	13.0	3.2
109635	212.018-6	14	10.0	24.0	13.0	3.2
109636	212.014-8	17	14.5	28.5	12.1	3.2
109637	212.038-10	21	18.4	33.7	14.0	3.2
109638	212.012-12	24	21.0	37.5	17.0	3.2



213.018-6

Male branch Y-elbow, swivel type, parallel female thread and conical male thread

Art. No.	Type No.	ØD	Thread 1	Thread 2	ØP	ØJ	B	C	A1	A2	E
109639	213.018-6	6	G 1/8	R 1/8	13.0	14.2	30.5	15.5	7	8.5	9.0
109640	213.014-8	8	G 1/4	R 1/4	14.4	18.2	36.0	18.0	9	11.0	11.2
109641	213.038-10	10	G 3/8	R 3/8	18.4	21.8	42.3	22.0	10	12.0	12.0
109642	213.012-12	12	G 1/2	R 1/2	21.0	28.0	51.0	23.0	13	14.0	14.4

Art. No.	Type No.	H	F	G	L	Ød
109639	213.018-6	14	10.0	24.0	13.0	3.2
109640	213.014-8	17	14.5	28.5	12.1	3.2
109641	213.038-10	21	18.4	33.7	14.0	3.2
109642	213.012-12	24	21.0	37.5	17.0	3.2

*The suitability test for the individual application is the user's responsibility.